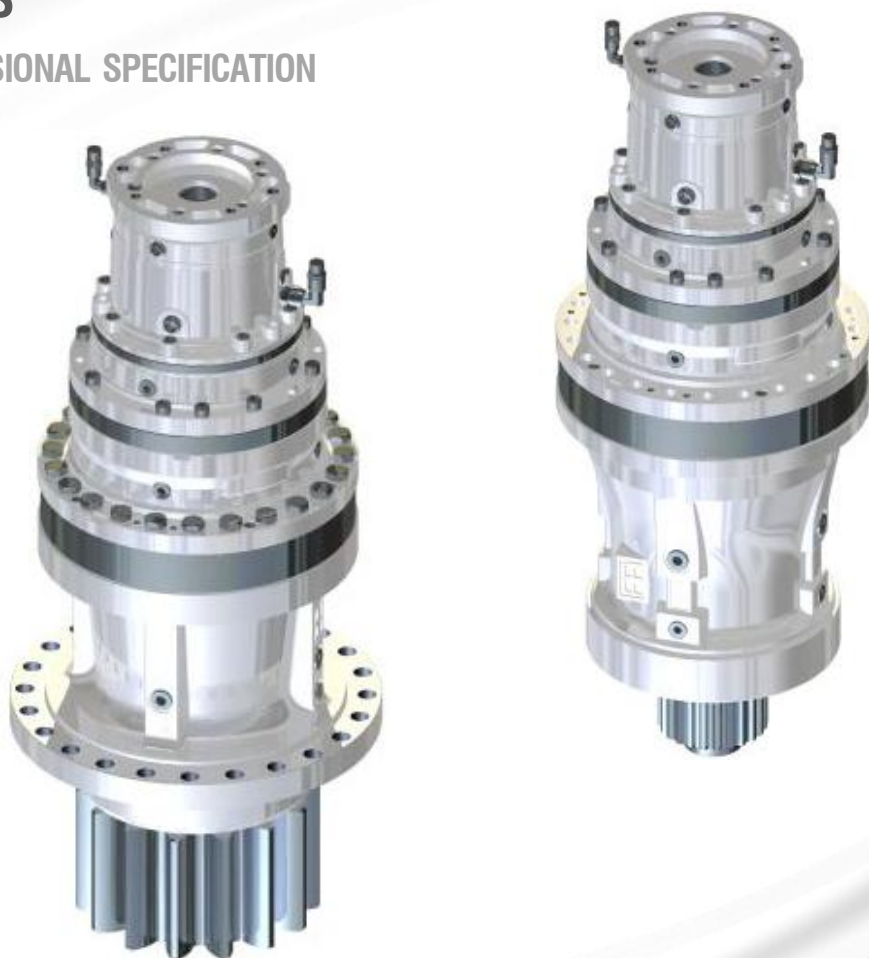


RIDUTTORI PER ROTAZIONE

DATI TECNICI E SPECIFICHE DIMENSIONALI

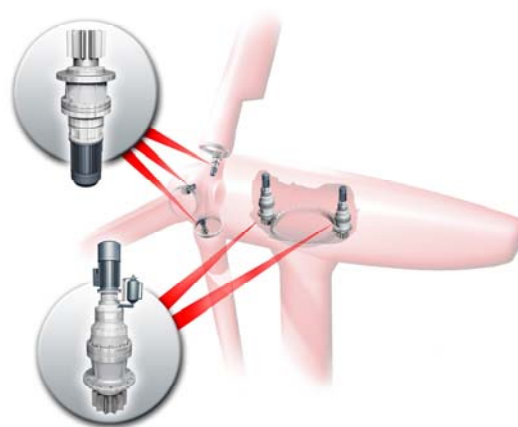
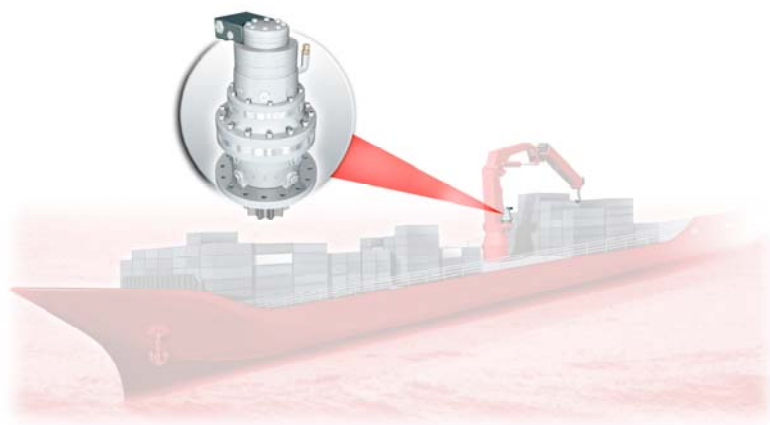
SLEWING GEARBOXES

TECHNICAL DATA AND DIMENSIONAL SPECIFICATION

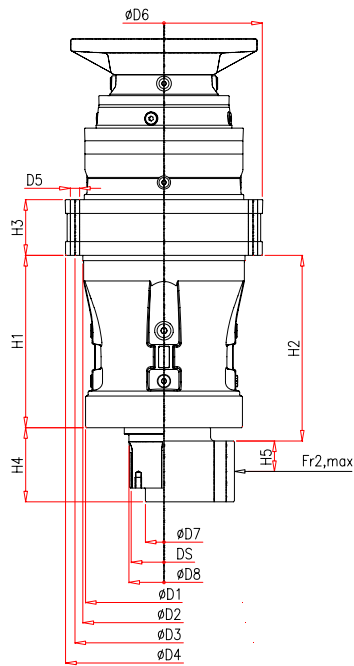


RR1800 ÷ RR10000

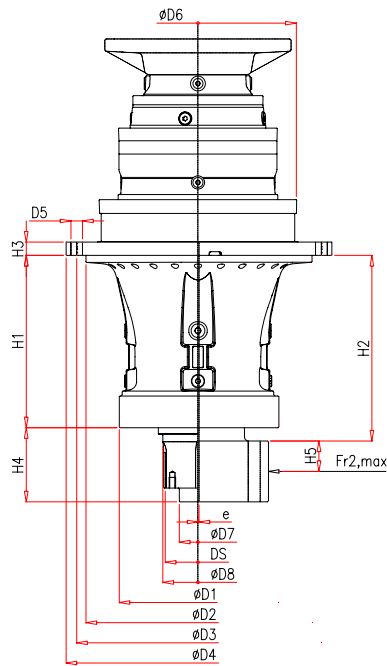




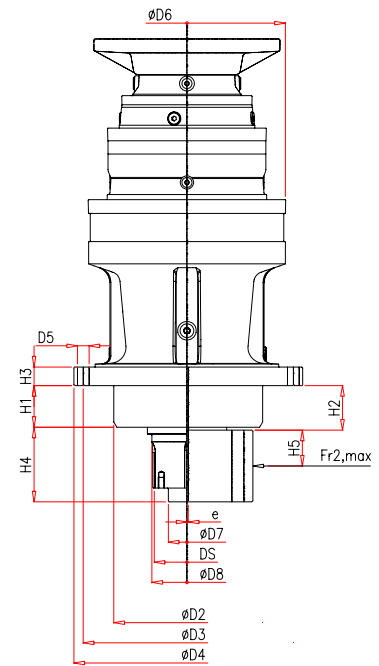
Tipologia riduttore	Coppia T_{2FEM} (Nm)	Coppia statica (Nm)	Carico radiale max (N)	Rapporti - Ratio
Gearbox type	Torque T_{2FEM} (Nm)	Extreme torque (Nm)	Max radial load (N)	(L2 - L3 - L4)
FEM M5 (T5-L2) , $n_2=15$ rpm		F _{r2,max} , H5		
RR1800 VI	17000 ÷ 27000	40000	528000	13.26 ÷ 2212.06
RR1800 ZI	17000 ÷ 27000	40000	528000	13.26 ÷ 2212.06
RR1800 FF	17000 ÷ 27000	40000	396000	13.26 ÷ 2212.06
RR2500 VI	20000 ÷ 34000	70000	555000	15.69 ÷ 2495.56
RR2500 ZI	20000 ÷ 34000	70000	555000	15.69 ÷ 2495.56
RR2500 FF	20000 ÷ 34000	70000	595000	15.69 ÷ 2495.56
RR3200 VI	25000 ÷ 44000	80000	555000	16.00 ÷ 2005.23
RR3200 ZI	25000 ÷ 44000	80000	555000	16.00 ÷ 2005.23
RR3200 FF	25000 ÷ 44000	80000	595000	16.00 ÷ 2005.23
RR4000 ZI	35000 ÷ 59000	100000	805000	16.28 ÷ 1910.05
RR4000 FF	35000 ÷ 59000	100000	1107000	16.28 ÷ 1910.05
RR5200 ZI	46000 ÷ 76000	120000	805000	16.28 ÷ 1803.20
RR5200 FF	46000 ÷ 76000	120000	1107000	16.28 ÷ 1803.20
RR6500 ZI	65000 ÷ 100000	160000	992000	16.70 ÷ 2064.71
RR8000 ZI	64000 ÷ 112000	200000	1142000	17.42 ÷ 1695.65
RR10000 ZI	89000 ÷ 143000	230000	1142000	17.42 ÷ 1600.80



VI TYPE



ZI TYPE



FF TYPE

VERSIONE TYPE	DIMENSIONI - DIMENSIONS														
	D1	D2	D3	D4	D5	D6	e	H1	H2	H3	H4	H5	DS	D7	D8
RR1800 VI	250	280	314	340	Ø15.5 n°18	342	-	295	300	105	125	56	DIN5480 120x3	110	125
RR1800 ZI	250	280	380	420	Ø17 n°24	342	2	295	300	30	-	56	-	-	-
RR1800 FF	-	257	295	325	Ø13.5 n°24	342	1.5	121	125	40	-	56	-	-	-
RR2500 VI	300	305	335	370	Ø17.5 n°24	370	-	325	350	105	139.5	65	DIN5480 130x5	70	132
RR2500 ZI	300	425	460	500	Ø22 n°24	370	2	325	350	25	139.5	65	DIN5480 130x5	70	132
RR2500 FF	-	280	395	430	Ø22 n°24	370	2.5	79	84	35	140.5	65	DIN5480 130x5	70	132
RR3200 VI	300	335	370	405	Ø17.5 n°24	405	-	325	350	105	139.5	65	DIN5480 130x5	70	132
RR3200 ZI	300	425	460	500	Ø22 n°24	405	2	325	350	25	139.5	65	DIN5480 130x5	70	132
RR3200 FF	-	280	395	430	Ø22 n°24	405	2.5	79	84	35	140.5	65	DIN5480 130x5	70	132
RR4000 ZI	340	400	510	555	Ø22 n°24	457	2.5	420	425	25	-	75	-	-	-
RR4000 FF	-	410	450	490	Ø22 n°24	457	2.5	115	120	40	170	75	DIN5480 160x5	80	162
RR5200 ZI	340	400	510	555	Ø22 n°24	457	2.5	420	425	25	-	75	-	-	-
RR5200 FF	-	410	450	490	Ø22 n°24	457	2.5	115	120	40	170	75	DIN5480 160x5	80	162
RR6500 ZI	370	540	580	620	Ø22 n°28	515	5	517	525	30	173	80	DIN5480 170x5	150	172
RR8000 ZI	420	600	650	700	Ø26 n°28	570	5	577	585	30	206	106	DIN5480 200x5	180	202
RR10000ZI	420	600	650	700	Ø26 n°28	570	5	577	585	30	206	106	DIN5480 200x5	180	202

OPZIONI INGRESSO - INPUT OPTIONS

Freni negativi con accoppiamento motore - Negative brakes with motor coupling

Motori idraulici - Hydraulic motors

Motori elettrici auto frenanti - Brake motors

OPZIONI USCITA - OUTPUT OPTIONS

Pignone integrale o albero scanalato - Splined shaft or integral pinion

Modulo, Numero di denti, Spostamento profilo a richiesta
Module, Number of teeth, Profile shift on request

Dati pignone
Pinion Data

Tip Relief

$$\text{Pan R} = 0.1 * \text{Mn}$$

$$\text{Ca} = 0.01 * \text{Mn}$$

$$\text{H} = 0.5 * \text{Mn}$$

